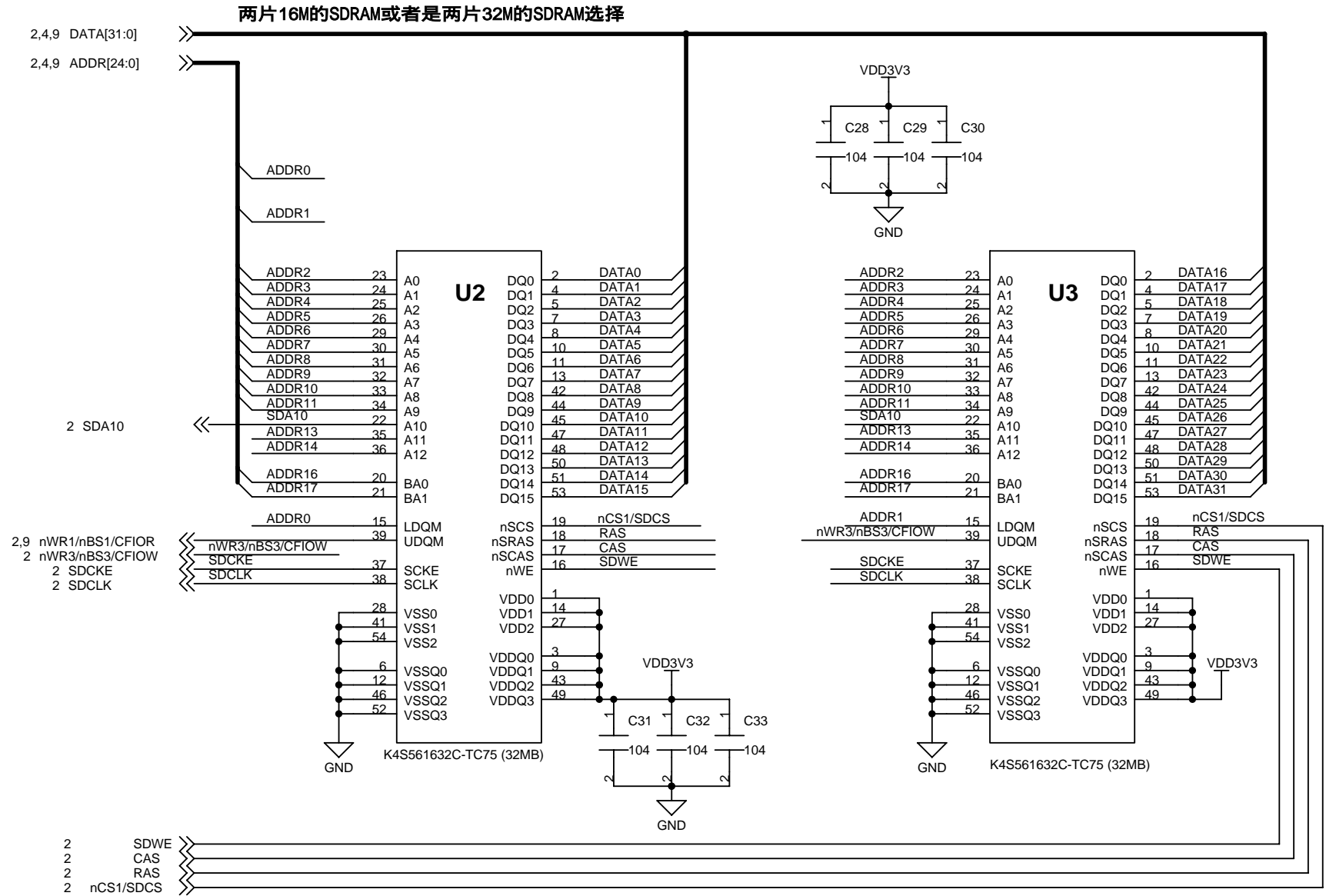


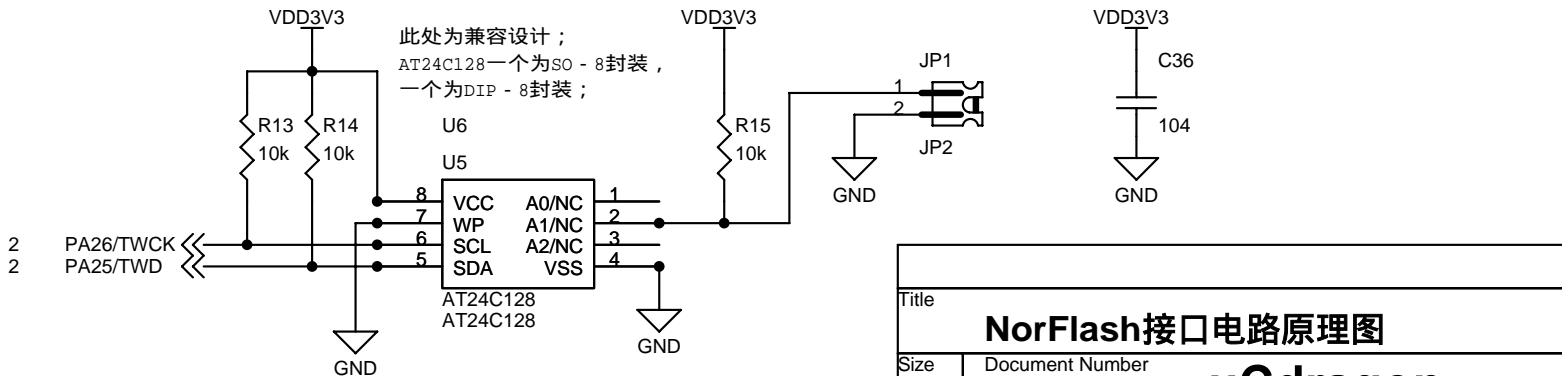
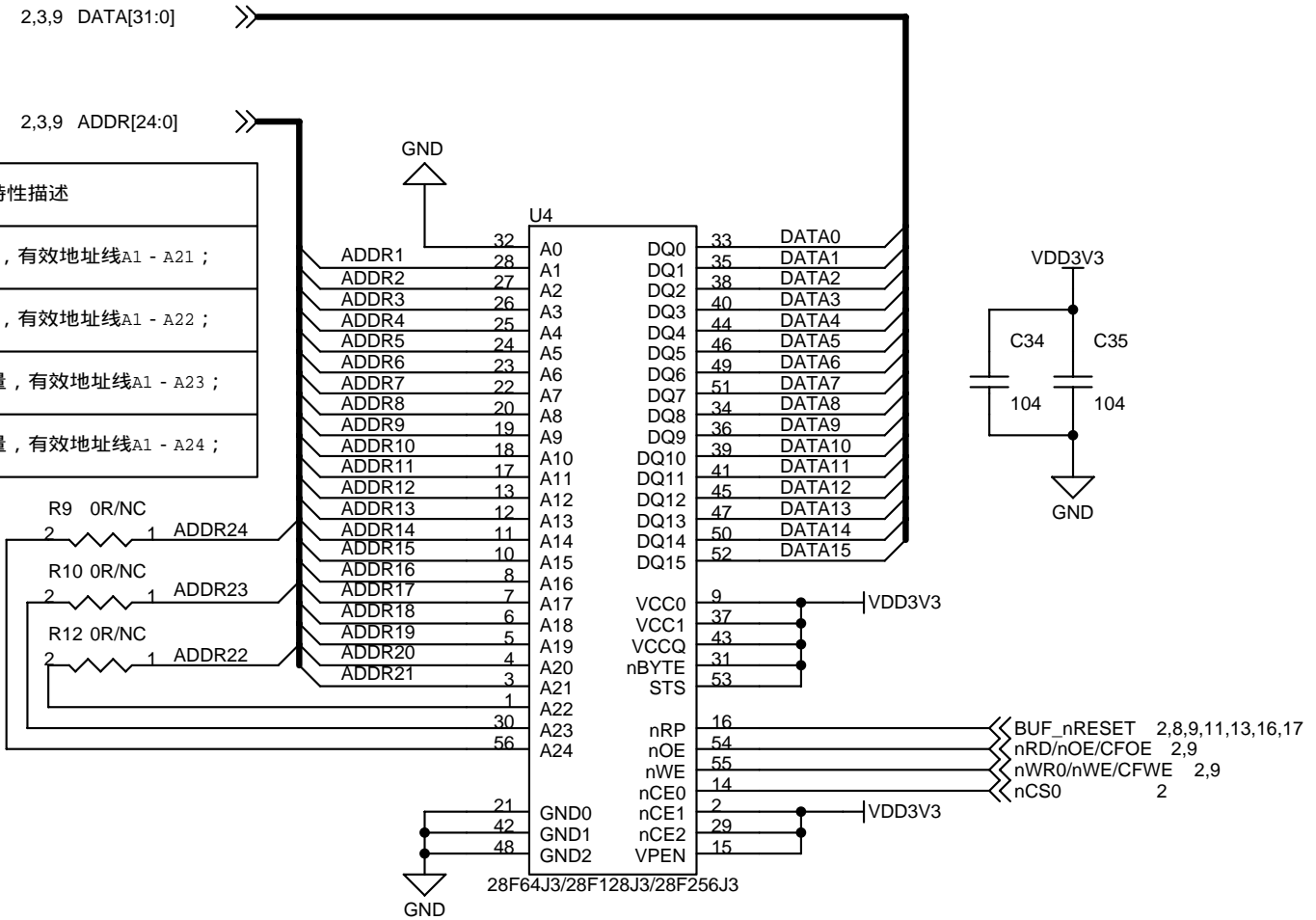
**ucdragon**  
**AT91RM9200\_PQFP208**

Title		
<b>AT91RM9200PQ208电路原理图</b>		
Size	Document Number	Rev
A3		<b>uCdragon</b>
Date:	Monday, December 05, 2005	Sheet 2 of 18
		<b>1.0</b>

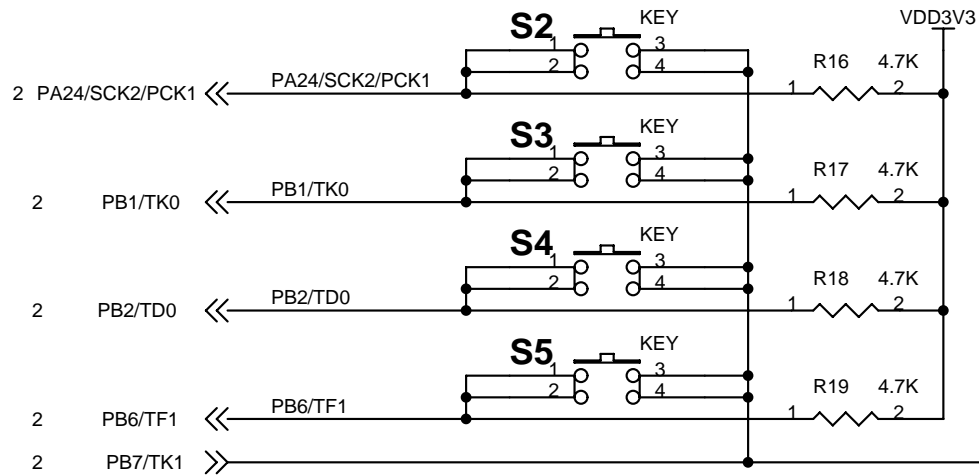


Title		
<b>SDRAM接口电路原理图</b>		
Size	Document Number	Rev
A4	<b>uCdragon</b>	<b>1.0</b>
Date:	Monday, December 05, 2005	Sheet 3 of 18

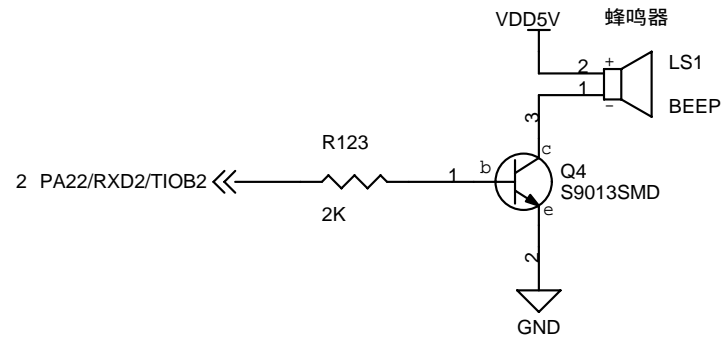
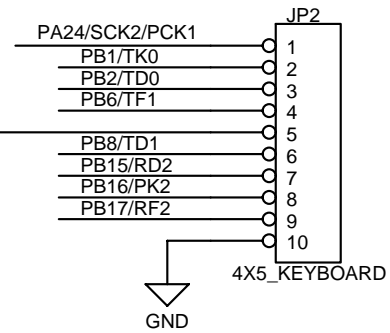
Flash型号	引脚特性描述
PC28F320J3	3.3V供电, 4兆字节容量, 有效地址线A1 - A21;
PC28F640J3	3.3V供电, 8兆字节容量, 有效地址线A1 - A22;
PC28F128J3	3.3V供电, 16兆字节容量, 有效地址线A1 - A23;
PC28F256J3	3.3V供电, 32兆字节容量, 有效地址线A1 - A24;



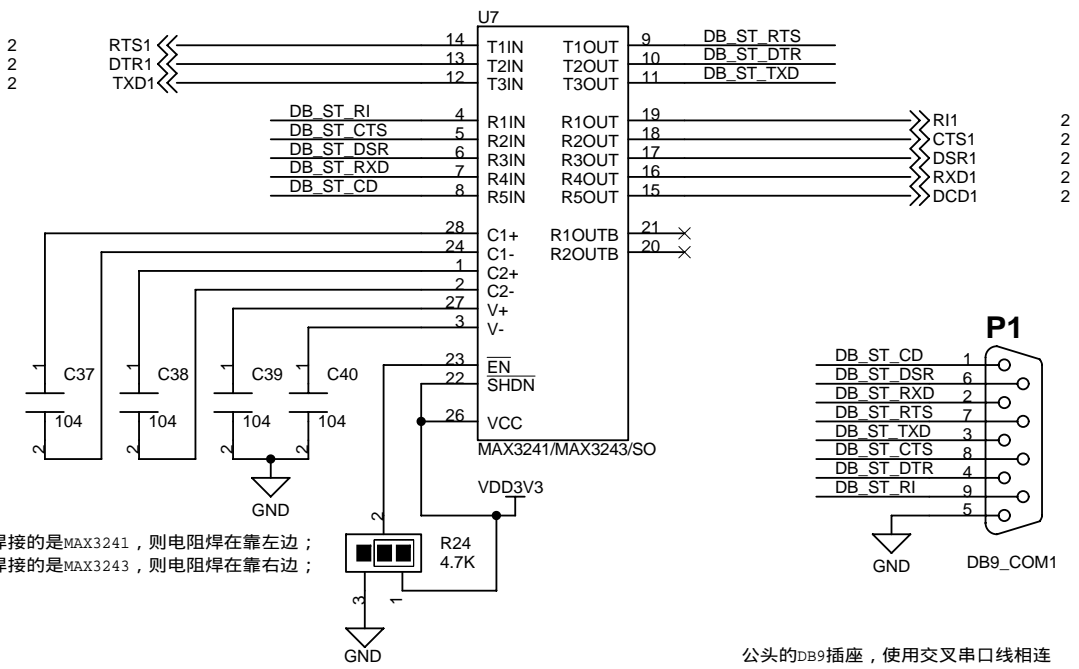
Title		
<b>NorFlash接口电路原理图</b>		
Size	Document Number	Rev
A	<b>uCdragon</b>	<b>1.0</b>
Date:	Monday, December 05, 2005	Sheet 4 of 18



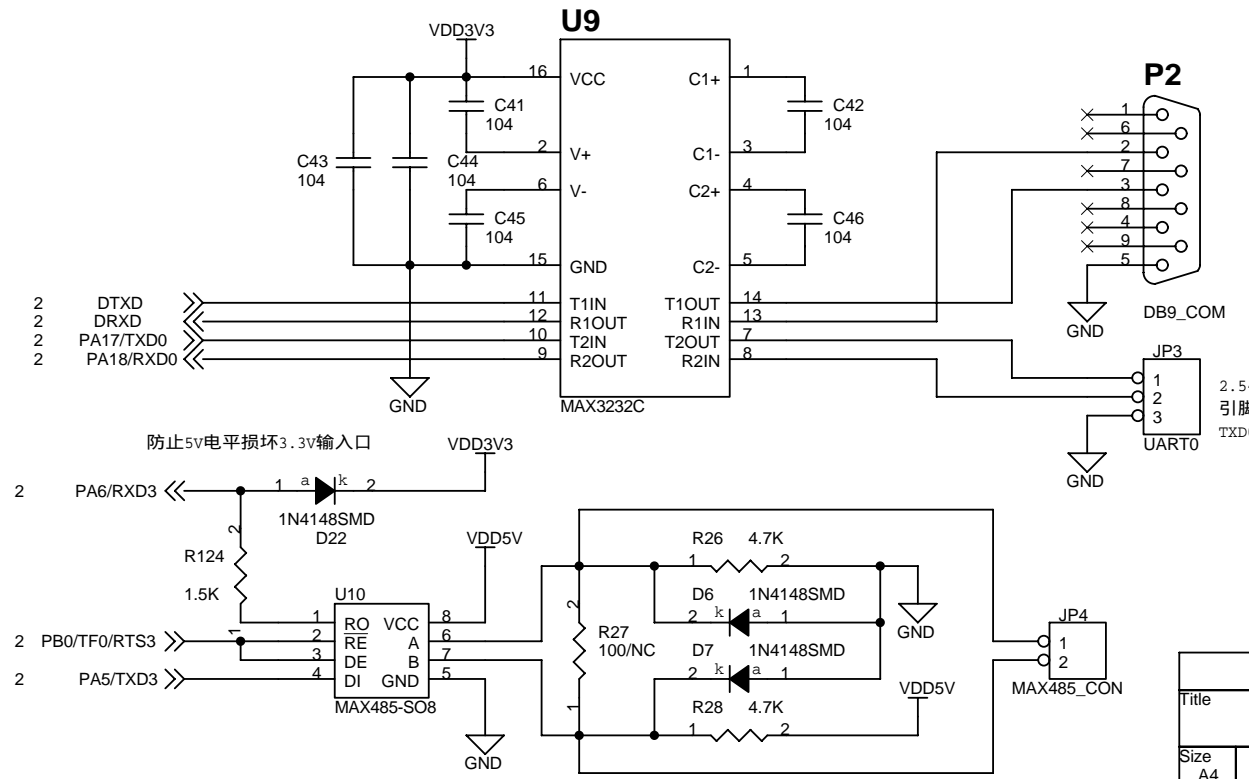
给用户扩展用的4X5矩阵键盘



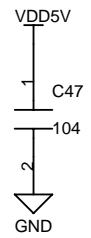
Title		
矩阵键盘、LED和蜂鸣器电路原理图		
Size	Document Number	Rev
A	uCdragon	1.0
Date:	Monday, December 05, 2005	Sheet 5 of 18

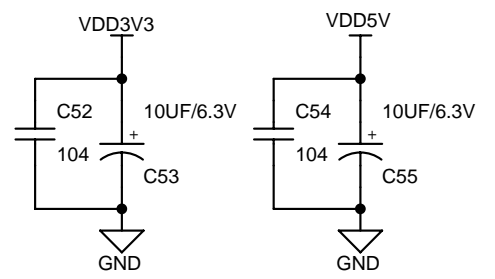
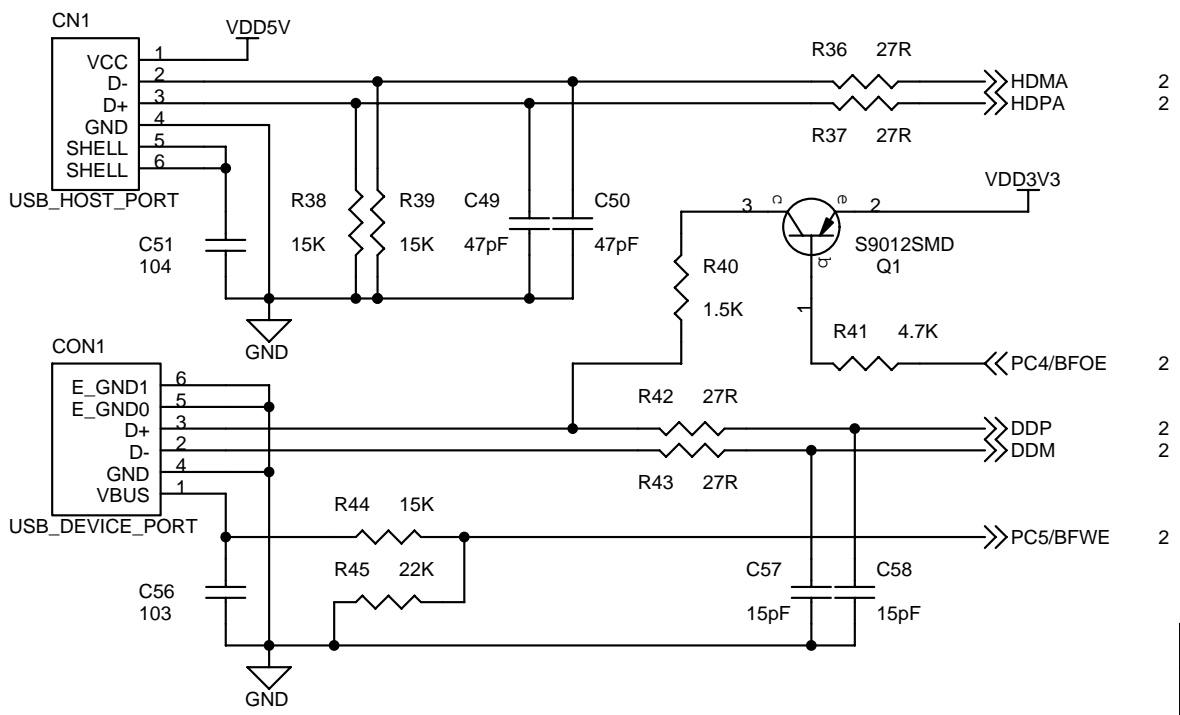
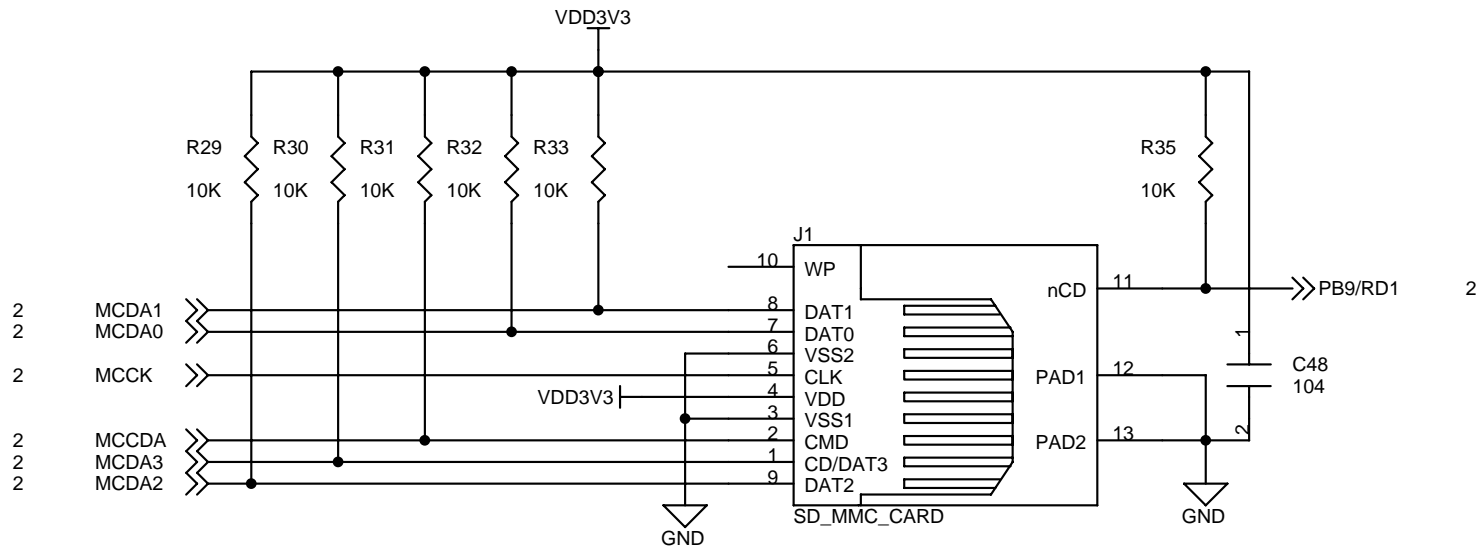


公头的DB9插座, 使用交叉串口线相连

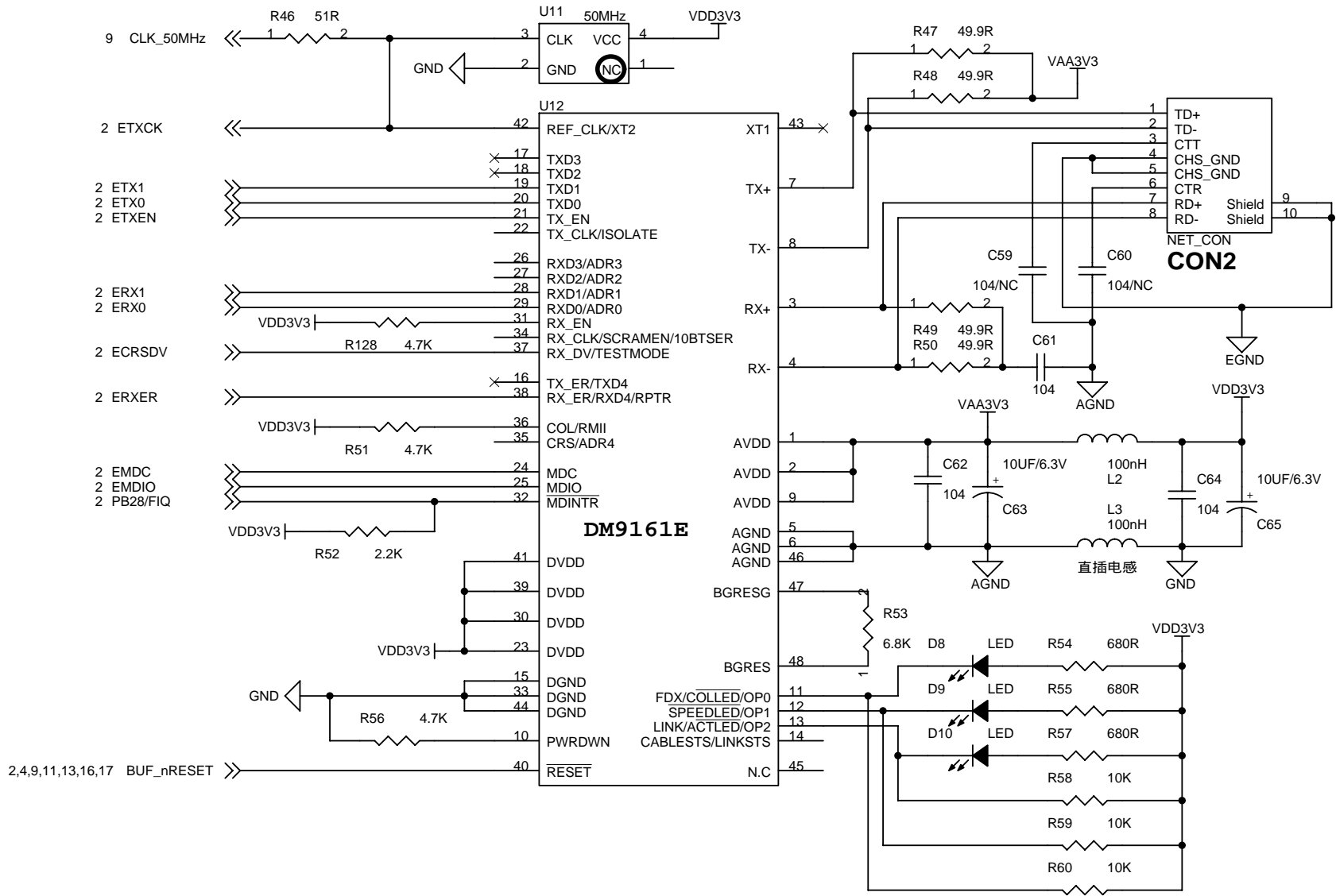


Title		
<b>UART串口和RS485接口电路原理图</b>		
Size	Document Number	Rev
A4	<b>uCdragon</b>	1.0
Date:	Monday, December 05, 2005	Sheet 6 of 18



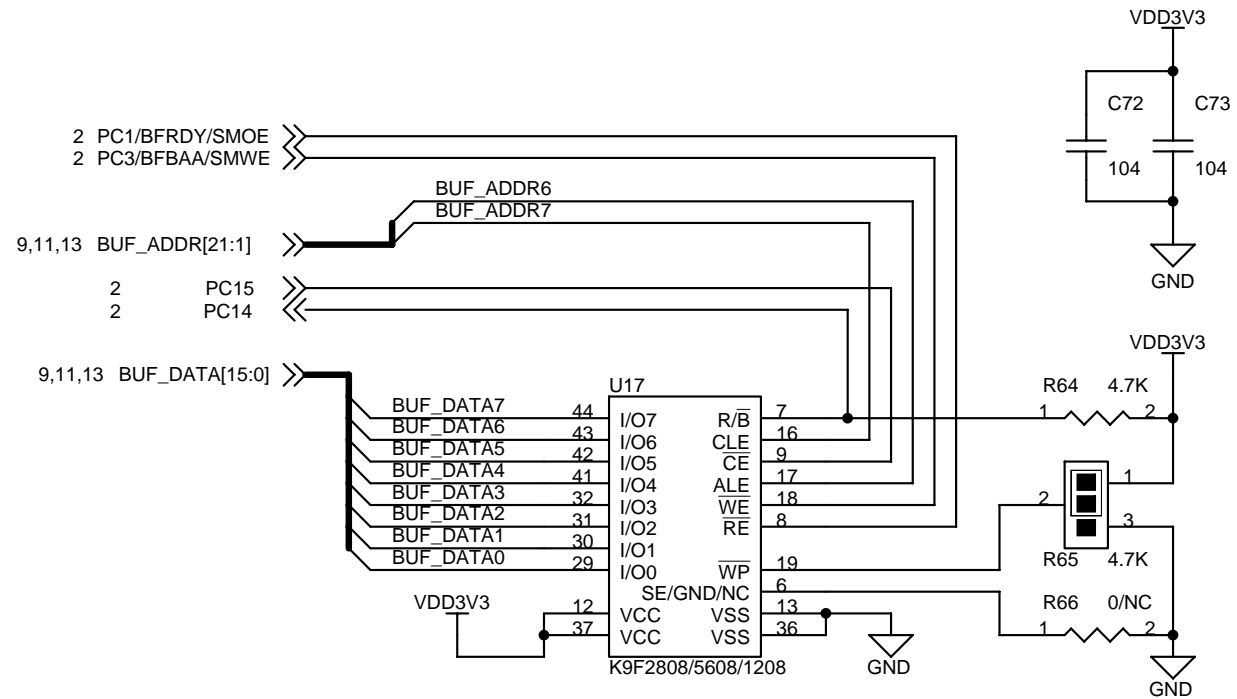


Title		
<b>SD卡和USB接口电路原理图</b>		
Size	Document Number	Rev
A	<b>uCdragon</b>	<b>1.0</b>
Date:	Monday, December 05, 2005	Sheet 7 of 18



Title		<b>100M以太网口DM9161E电路原理图</b>	
Size	Document Number	<b>uCdragon</b>	
A4		Date:	Monday, December 05, 2005
		Sheet	8 of 18
		Rev	<b>1.0</b>



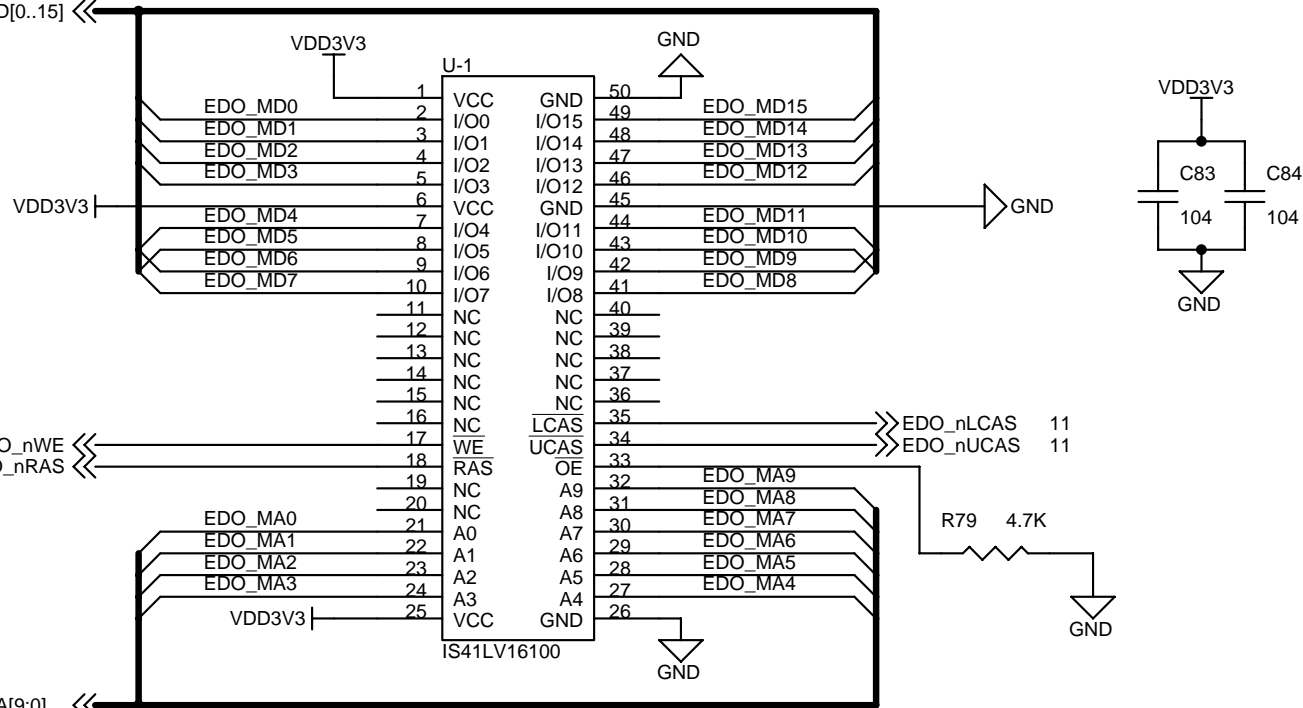


WP#接高电平允许擦除和写入；  
接低电平禁止擦除和写入。

Title		
NandFlash接口电路原理图		
Size	Document Number	Rev
A	uCdragon	1.0
Date:	Monday, December 05, 2005	Sheet 10 of 18



11 EDO\_MD[0..15] <<<



11 EDO\_nWE <<<  
11 EDO\_nRAS <<<

11 EDO\_MA[9:0] <<<

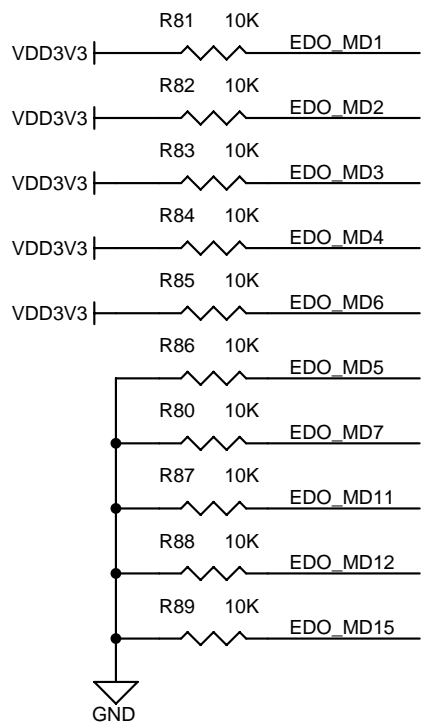


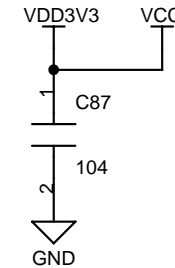
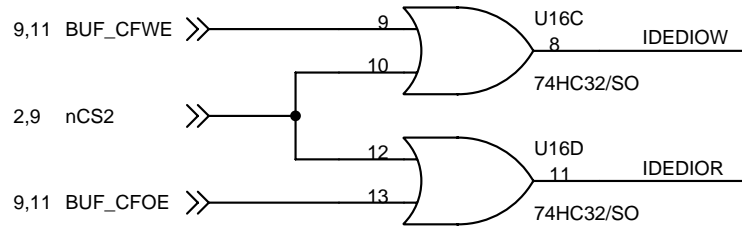
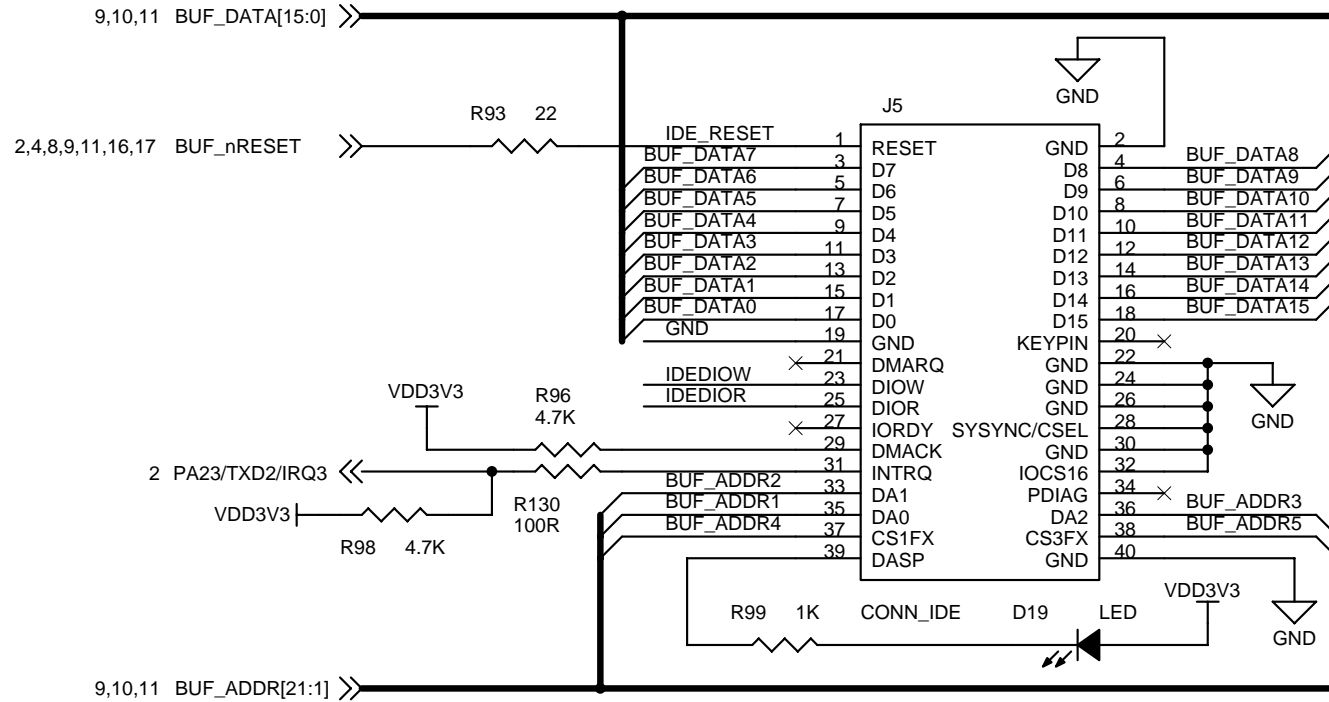
Table 4-1: Summary of Power-On/Reset Options

S1D13506 Pin Name	value on this pin at rising edge of RESET# is used to configure:(1/0)	
	1	0
MD[3:1]	111 = PC Card Host Bus Interface selected	
MD4	Little Endian	Big Endian
MD5	WAIT# is active high (1 = insert wait state)	WAIT# is active low (0 = insert wait state)
MD11	Alternate Host Bus Interface Selected	Primary Host Bus Interface Selected
MD12	BUSCLK input divided by two	BUSCLK input not divided by two
MD15	WAIT# is always driven	WAIT# is tristated when the chip is not accessed by the host

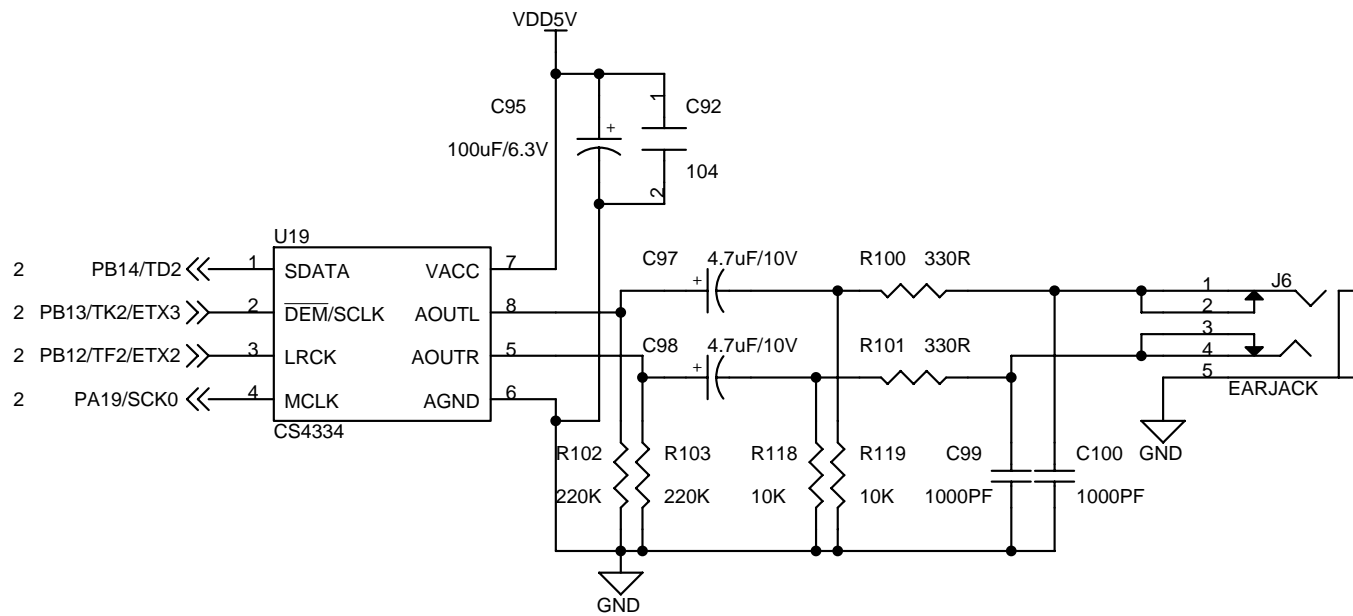
**Configuration Legend:**  
 = configuration for PC Card Host Bus Interface

Title		
<b>EDO-DRAM动态存储器电路原理图</b>		
Size A	Document Number	<b>uCdragon</b>
		Rev <b>1.0</b>
Date:	Monday, December 05, 2005	Sheet 12 of 18

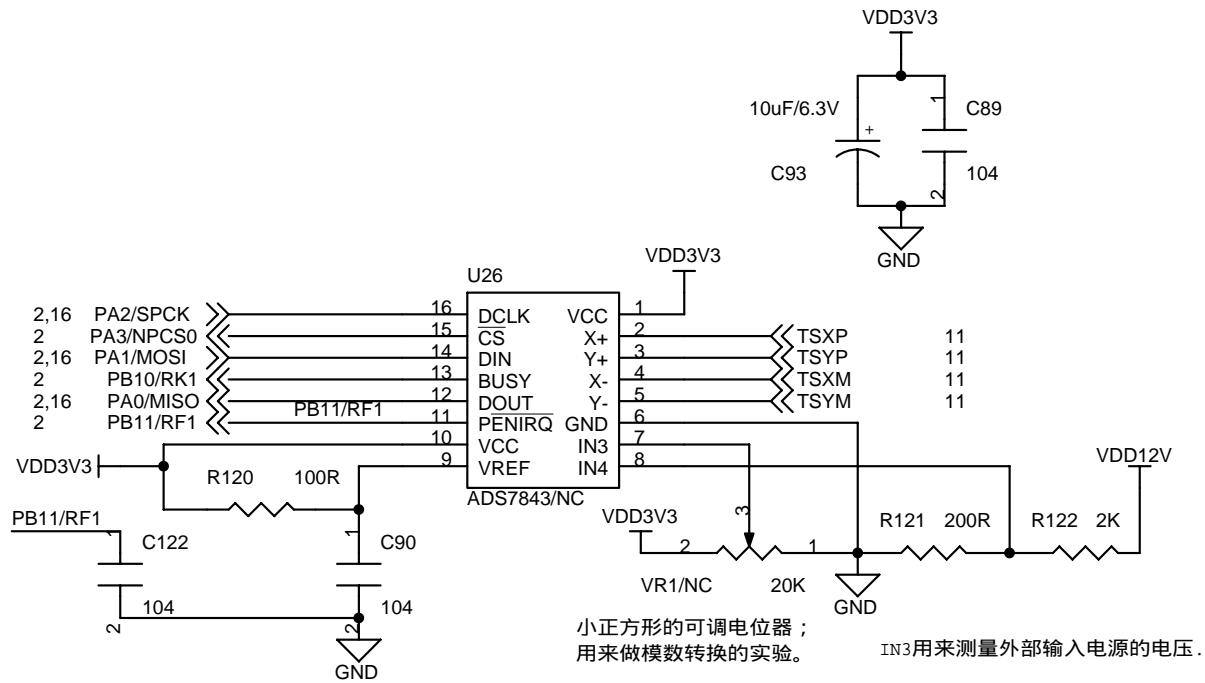
2.54mm间距双排座子(简牛座)  
PCB要在座子旁边注明"IDE\_CON"



Title		
<b>IDE硬盘接口电路原理图</b>		
Size	Document Number	Rev
A	<b>uCdragon</b>	<b>1.0</b>
Date:	Monday, December 05, 2005	Sheet 13 of 18



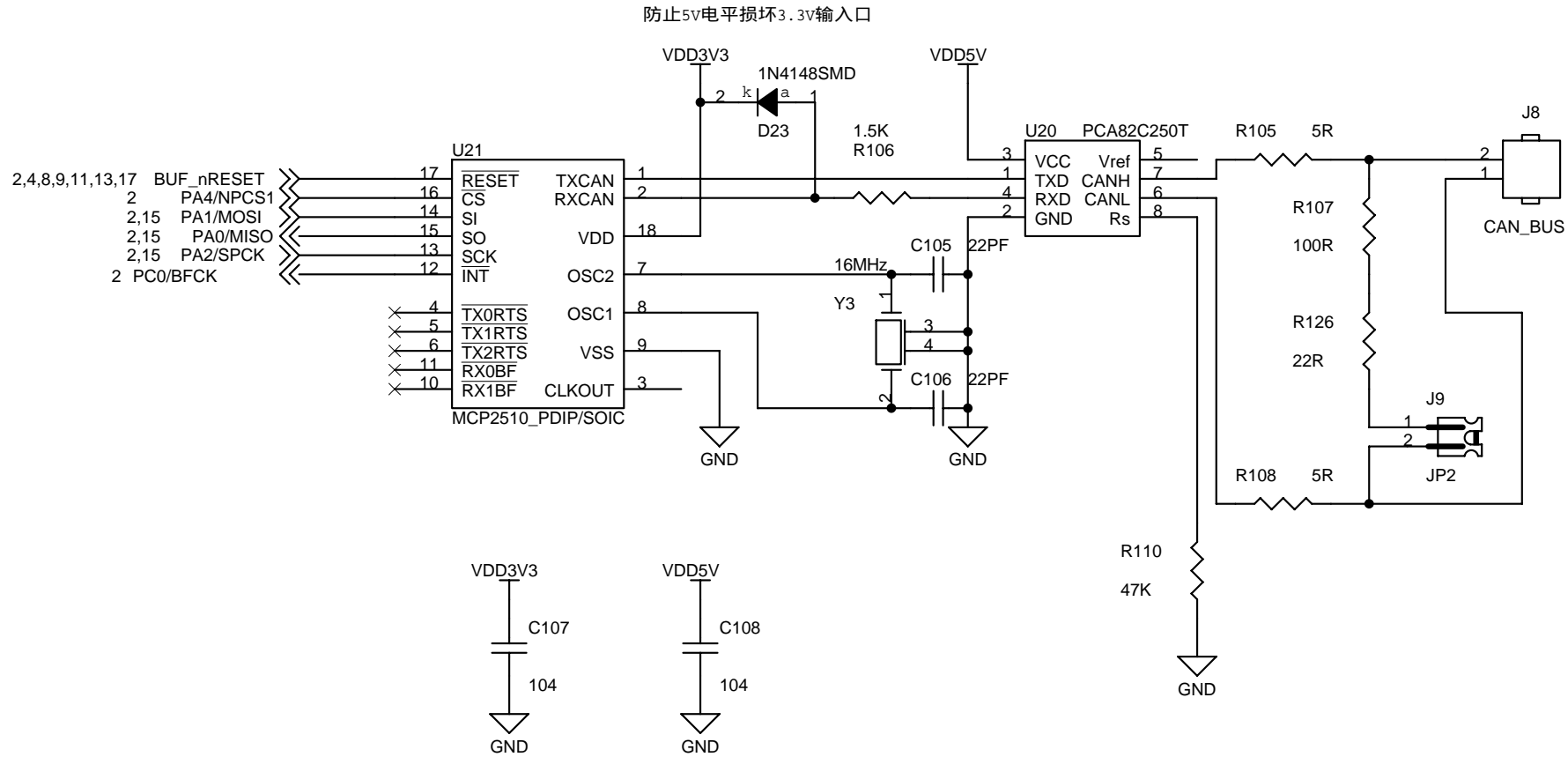
Title		
<b>IIS音频接口电路原理图</b>		
Size A	Document Number <b>uCdragon</b>	Rev <b>1.0</b>
Date:	Monday, December 05, 2005	Sheet 14 of 18



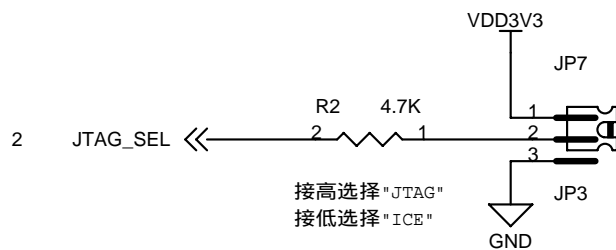
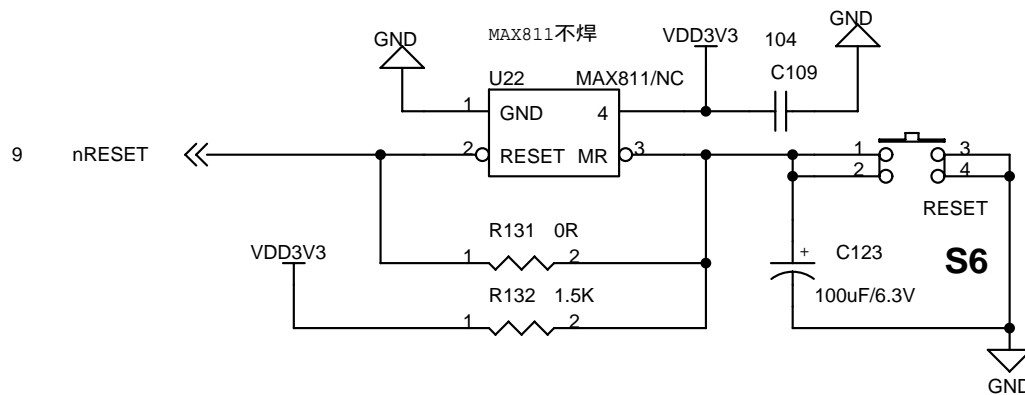
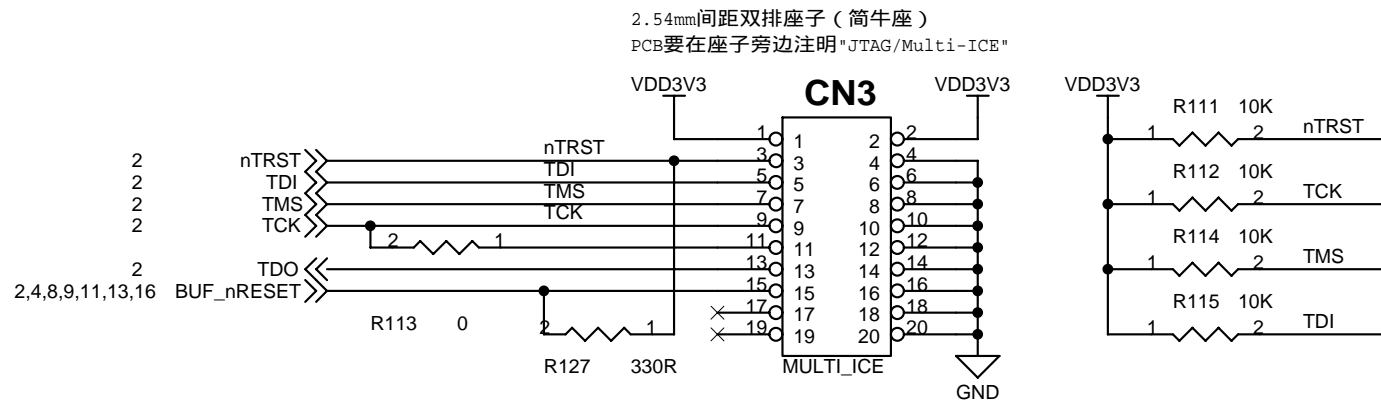
小正方形的可调电位器；  
用来做模数转换的实验。

IN3用来测量外部输入电源的电压。

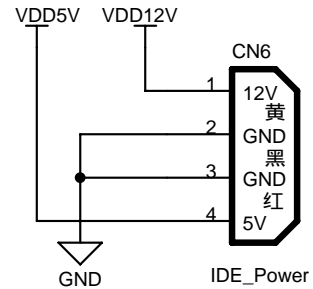
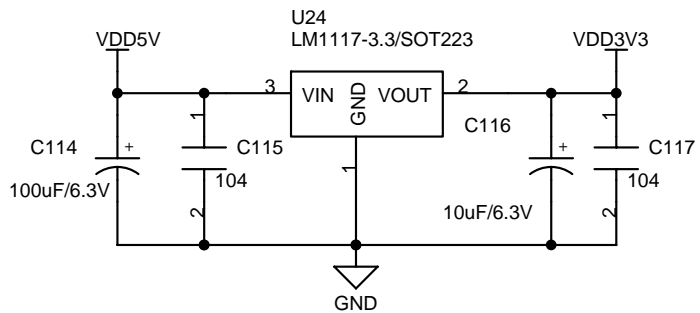
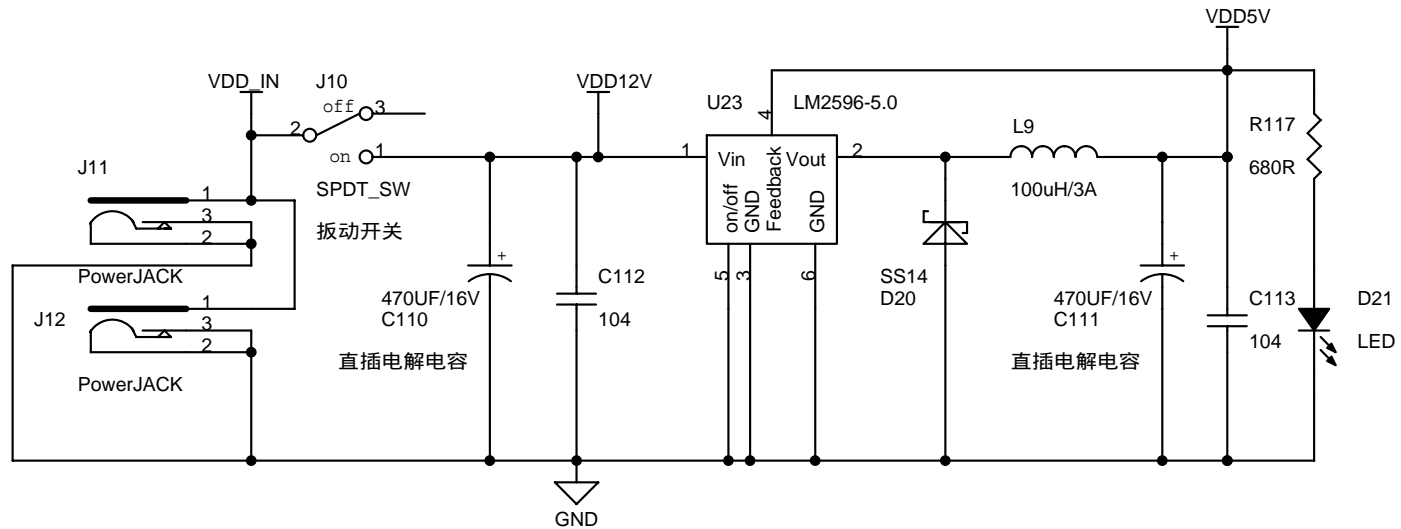
Title		
触摸屏接口电路原理图		
Size	Document Number	Rev
A	uCdragon	1.0
Date:	Monday, December 05, 2005	Sheet 15 of 18



Title		
CAN总线接口电路原理图		
Size	Document Number	Rev
A	uCdragon	1.0
Date:	Monday, December 05, 2005	Sheet 16 of 18
	2	1

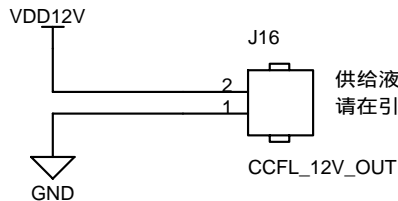
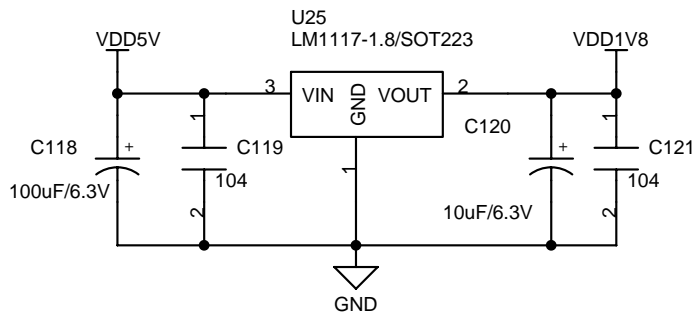
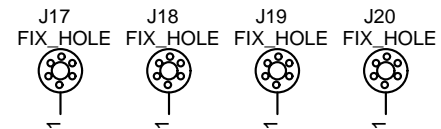


Title		
复位电路和JTAG接口电路原理图		
Size	Document Number	Rev
A	uCdragon	1.0
Date:	Monday, December 05, 2005	Sheet 17 of 18



IDE硬盘需要的电源输出，请在引脚旁丝印上标明电压值。

板子四周四个定位孔



供给液晶屏的CCFL背光所需的电源，请在引脚旁丝印上标明电压值。

Title		
电源部分电路原理图		
Size	Document Number	Rev
A	uCdragon	1.0
Date:	Monday, December 05, 2005	Sheet 18 of 18